

HEADS UP!

CRANE SAFETY LIGHTS

LED Line Lights

for Crane and Hoist Applications



**FLOOR PROJECTED LED WARNING LIGHT SYSTEM THAT ALERTS
PERSONNEL OF OVERHEAD CRANE PROXIMITY**

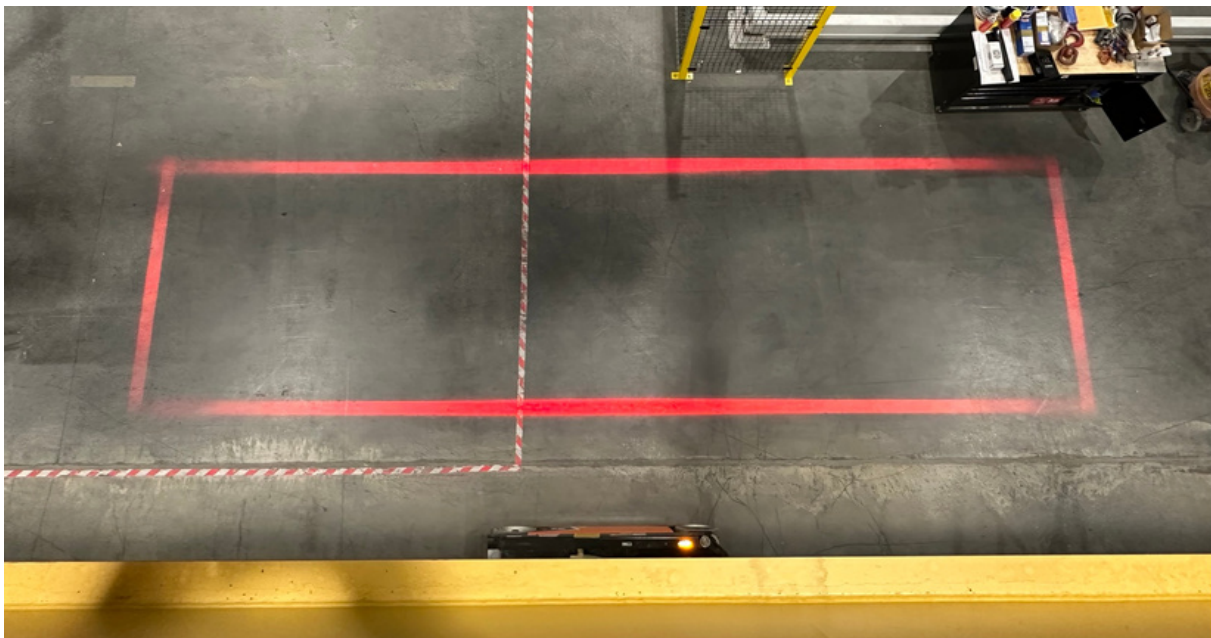
**PRE-ENGINEERED KITS - LIGHTS, CABLING, AND JUNCTION
BOXES FOR TURNKEY SOLUTIONS**

MAX SERIES

SB HP & SB SUPER HP (460VAC)

Heads Up! Crane Safety Light box configuration for trolley application. Package includes four Max Series SB HP LED red line lights and one pre-engineered junction box. Line lights come with integrated 460VAC power supply, cooling fan and 10' pigtail. J-Box consists of NEMA 4X enclosure with circuit protection, terminal strip, mounted cable glands.

Each Kit Consists Of -



MAX SERIES

SB HP & SB SUPER HP (460VAC)

HEAVY DUTY LED LINE LIGHT FOR BRIDGE AND TROLLEY APPLICATIONS. SUGGESTED FOR INSTALLATION HEIGHTS UP TO 20 METERS AND HEAVY DUTY ENVIRONMENTS.

SPECIFICATIONS:

- POWER SUPPLY: 460VAC
- SB HP: 65W (BLUE) 50W (RED)
- SB SUPER HP: 98W (BLUE) 80W (RED)
- AMP DRAW AT 460V:
 - SB HP: .14 AMPS (BLUE) .10 AMPS (RED)
 - SB SUPER HP: .21 AMPS (BLUE) .17 AMPS (RED)
- PROJECTED SHAPE: LINE (ADJUSTABLE LENGTH)
- OPERATING TEMPERATURE: -40°C TO 60°C (BLUE)
-40°C TO 50°C (RED)
- MATERIALS: ANODIZED ALUMINUM (HOUSING), PAINTED STEEL (BRACKET), STAINLESS STEEL (SCREWS AND CABLE GLANDS), GLASS (LENSES), EPDM (GASKETS), PVC (LENS COVER)
- IP RATING: IP65
- IK RATING: IK08
- WEIGHT: 4.2 KG
- DIMENSIONS: 262 L X 65 H X 243 W (MM)
- 1 METER OR 3 METER PIGTAIL



SLIDES FOR LENS TO ADJUST LINE LENGTH

***OPTION OF BLUE OR RED LIGHT**

Part Numbers

P/N	PRODUCT
LC0117N-HV	SB HP BLUE
LC0118N-HV	SB HP RED
LC0285N-HV	SB SUPER HP BLUE
LC0286N-HV	SB SUPER HP RED

 **Demo Video**

***FOR 3 METER PIGTAIL, ADD -3 TO P/N**

WWW.ENGINEERED-COMPONENTS.COM | 828-683-0176 |
SALES@ENGINEERED-COMPONENTS.COM

MAX SERIES

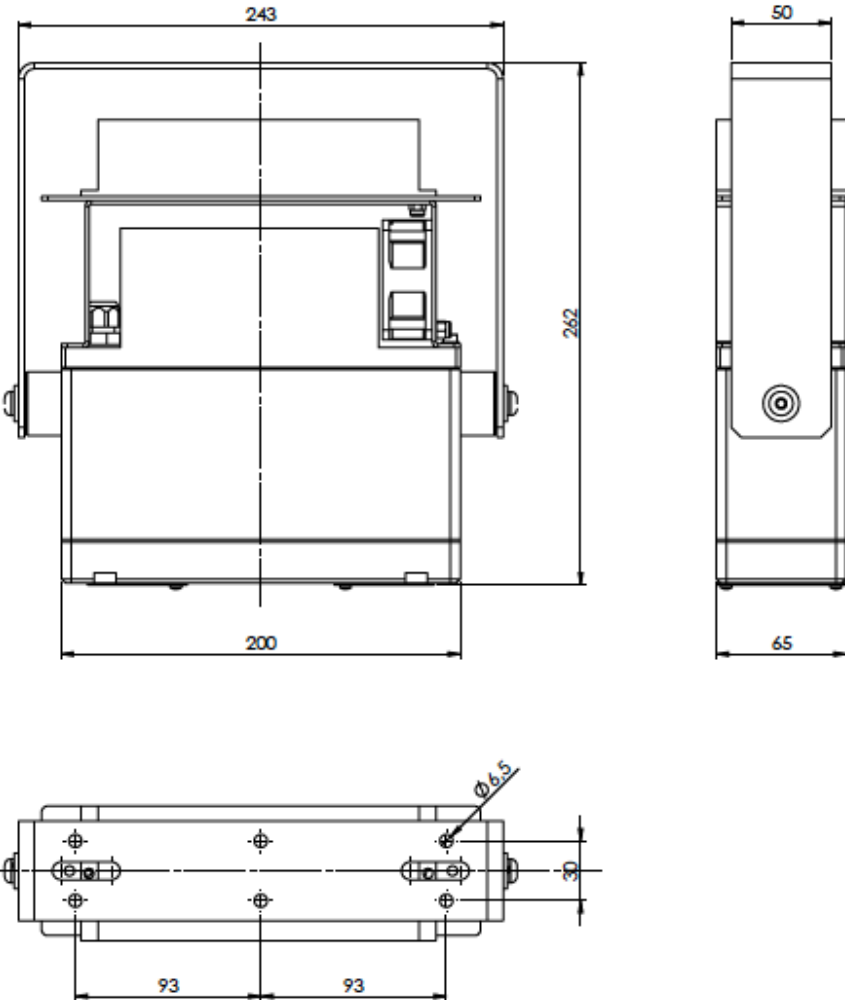
SB HP & SB SUPER HP

SB HP

Installation Height	Length	Thickness
5.0 M	3.30 M	73.00 mm
5.5 M	3.60 M	80.00 mm
6.0 M	3.90 M	87.00 mm
6.5 M	4.20 M	94.00 mm
7.0 M	4.60 M	102.00 mm
7.5 M	4.90 M	109.00 mm
8.0 M	5.20 M	116.00 mm
8.5 M	5.50 M	123.00 mm
9.0 M	5.90 M	131.00 mm
9.5 M	6.20 M	138.00 mm
10.0 M	6.50 M	145.00 mm

SB SUPER HP

Installation Height	Length	Thickness
8.0 M	5.20 M	116.00 mm
8.5 M	5.50 M	123.00 mm
9.0 M	5.90 M	131.00 mm
9.5 M	6.20 M	138.00 mm
10.0 M	6.50 M	145.00 mm
10.5 M	6.80 M	152.00 mm
11.0 M	7.20 M	160.00 mm
11.5 M	7.50 M	167.00 mm
12.0 M	7.80 M	174.00 mm
12.5 M	8.10 M	181.00 mm
13.0 M	8.50 M	189.00 mm
13.5 M	8.80 M	196.00 mm
14.0 M	9.10 M	203.00 mm
14.5 M	9.40 M	210.00 mm
15.0 M	9.80 M	218.00 mm
15.5 M	10.10 M	225.00 mm
16.0 M	10.40 M	232.00 mm
16.5 M	10.70 M	239.00 mm
17.0 M	11.10 M	247.00 mm
17.5 M	11.40 M	254.00 mm
18.0 M	11.70 M	261.00 mm
18.5 M	12.00 M	268.00 mm
19.0 M	12.40 M	276.00 mm
19.5 M	12.70 M	283.00 mm
20.0 M	13.00 M	290.00 mm



TYPICAL CONTROL PANEL LAYOUT

NOTE:

- All Field Recommended Tightening Torque For Terminals
- JD4C=4.5lb-in
- J4=9lb-in
- J6=14.2lb-in
- J10=20.4lb-in
- Ground Terminals
- JG4=9lb-in
- JG6=14lb-in
- JG10=20.4lb-in

