

# HD SERIES

## TYPE MCT

**THE ULTIMATE IN FLEXIBILITY - ONE UNIT WITH 7 SELECTABLE COLORS AND 7 TONES.**

ALERT PERSONNEL WITH VISUAL AND AUDIBLE WARNINGS IN ONE UNIT. ROBUST POLYCARBONATE HOUSING THAT ALLOWS FOR USE IN THE MOST DEMANDING ENVIRONMENTS.



### SPECIFICATIONS:

- Choice of Red, Green, Yellow, Blue, White, Light Blue, Violet
- Strobe Light Mode
- 7 tones
- Adjustable via potentiometer, up to 133dB
- 10ms response time
- IP65 thermoplastic housing
- UV resistant
- 12-30VAC/VDC, 48VAC/VDC, and 85-250VAC/VDC
- -20°C to 50°C (-4°F to 122°F)
- 50,000 hours life minimum

## »» Coding System

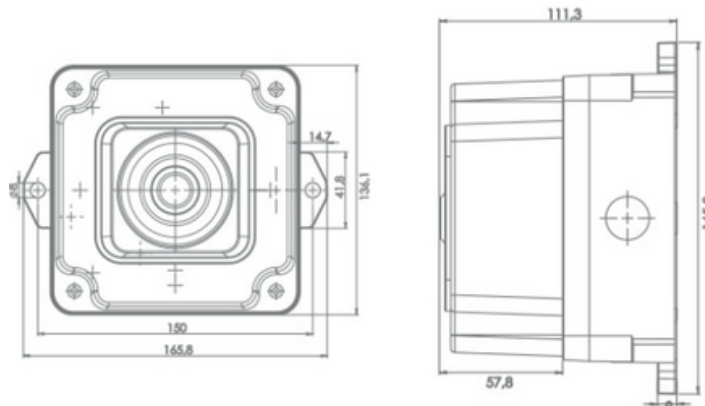
<b>HD</b>	-	<b>MCT</b>	-	<b>13</b>
<b>Series</b>		<b>Type</b>		<b>Voltage</b>
				<b>1828= 85-250V AC/DC *</b> <b>13 = 12-30V AC/DC</b> <b>48 = 48V AC/DC</b>

\*standard stock item



[▶ Demo Video](#)

## Dimensions for Type MT & MCT



# MD SERIES

## TYPE MCT100

**THE ULTIMATE IN FLEXIBILITY - ONE UNIT WITH 4 SELECTABLE COLORS, 16 ADJUSTABLE VOLUME TONES, AND 3 LIGHT MODES IN A COMPACT SIZE.**

ALERT PERSONNEL WITH VISUAL AND AUDIBLE WARNINGS IN ONE UNIT. MEDIUM DUTY UNIT WITH IMPACT RESISTANT ABS BASE AND POLYCARBONATE LENS. SUITABLE FOR TYPICAL INDUSTRIAL ENVIRONMENTS.



### SPECIFICATIONS:

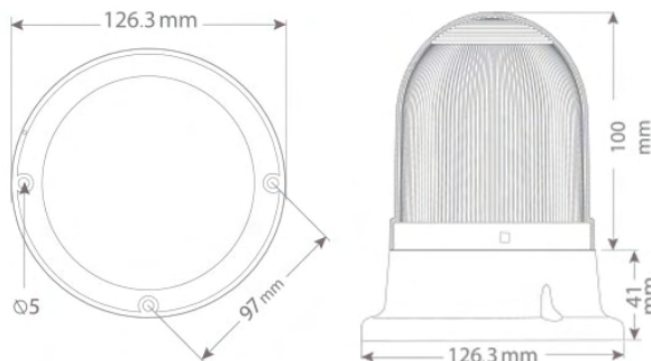
- Choice of Red, Blue, Green, Yellow
- Solid, Flashing, Strobe, Pulse Light Modes
- 8 tones
- 93-120dB
- 10ms response time
- IP65 thermoplastic housing
- UV resistant
- 12-24VAC/VDC and 40-250VAC/VDC
- -20°C to 50°C (-4°F to 122°F)
- 50,000 hours life minimum

## »» Coding System

MD	-	MCT100	-	125
Series		Type		Voltage
				<b>125 = 12-30V AC/DC</b> <b>115 = 40-250V AC/DC</b>



[▶ Demo Video](#)



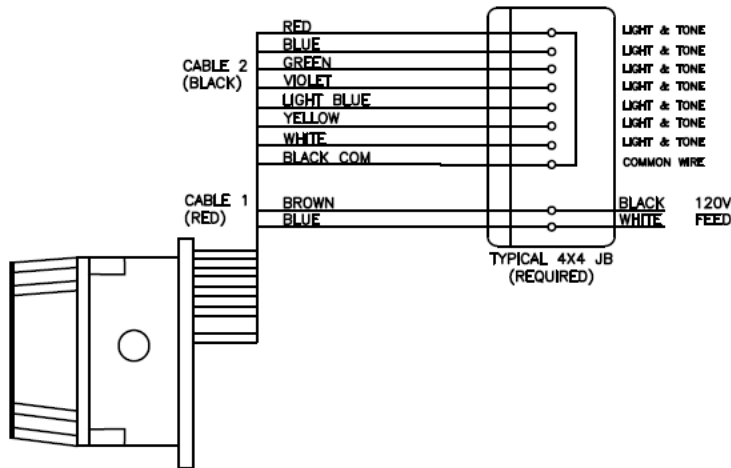
# HD & MD SERIES

## WIRING DIAGRAMS

### TYPE MCT

85-260V AC/DC

TYPICAL HD SERIES LIGHT  
85-250V AC/DC



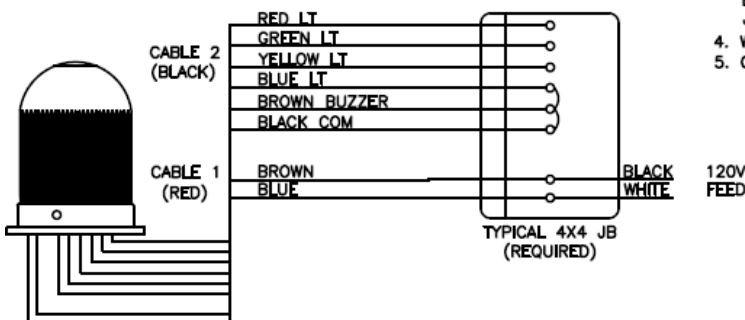
**NOTES:**

1. CABLE 1 & 2 ARE 12IN LEADS PROVIDED WITH THE FIXTURE.
2. THIS SIGNAL LT DOES REQUIRES A JUNCTION BOX.
3. DRAWING TO LEFT IS CORRECT FOR RED LT AND CORRESPONDING TONE TO ACTIVATE AT SAME TIME. JUMPER THE BLACK COMMON TO ANY LT/TONE YOU WANT TO ACTIVATE.
4. WIRENUT OR TERMINATE ALL WIRES NOT SELECTED FOR USE.
5. CABLE #1 IS THE POWER CABLE AND CABLE #2 IS CONTROL CABLE

### TYPE MCT100

40-250V AC/DC

TYPICAL MD SERIES LIGHT  
40-250V AC/DC



**NOTES:**

1. CABLE 1 & 2 ARE 12IN LEADS PROVIDED WITH THE FIXTURE.
2. THIS SIGNAL LT DOES REQUIRES A JUNCTION BOX.
3. DRAWING TO LEFT IS CORRECT FOR BLUE LT AND BUZZER TO ACTIVATE AT SAME TIME. JUMPER THE BLACK COMMON TO THE LT OR BUZZER YOU WANT TO ACTIVATE.
4. WIRENUT OR TERMINATE ALL WIRES NOT SELECTED FOR USE.
5. CABLE #1 IS THE POWER CABLE AND CABLE #2 IS CONTROL CABLE