

STROMAG LIGHTXCROSS

CROSS ARM, WINDMILL LIMIT SWITCH

HIGH QUALITY, GERMAN ENGINEERED LIMIT SWITCHES FOR THE SAFE SLOW DOWN AND STOP OF TRAVERSE MOTIONS ON OVERHEAD CRANES

- FIVE POSITIONS - FORWARD STOP/SLOW, NEUTRAL, REVERSE SLOW/STOP
- FOUR POSITIVE OPENING SILVER CHANGEOVER CONTACTS (UL CERTIFIED)
- SCREW-TYPE TERMINALS
- POSITIONS SHOWN ON DISPLAY WINDOW AND BY LEVER MARKINGS
- PROTECTION CLASS IP66
- TEMPERATURE RANGE OF -4F TO 140F
- RATED OPERATING VOLTAGE 250V
- CONTINUOUS THERMAL CURRENT 10A
- NOMINAL SWITCHING CURRENT UP TO 6A
- INCLUDED M20 CABLE GLAND
- DIMENSIONALLY INTERCHANGEABLE WITH OTHER POPULAR BRANDS
- ROBUST REINFORCED PBT THERMOPLASTIC AND STAINLESS STEEL FASTNERS FOR MAXIMUM STRENGTH AND CHEMICAL RESISTANCE

P/N: LX-155-00004

STROMAG™



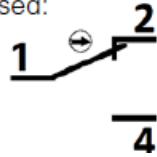
**WWW.ENGINEERED-COMPONENTS.COM | 828-683-0176 |
SALES@ENGINEERED-COMPONENTS.COM**

WIRING AND DIMENSIONS

Contact	Intended Purpose	Roatation direction
S1	Forward Stop	ccw
S2	Forward Slow	ccw
S3	Reverse Slow	cw
S4	Reverse Stop	cw

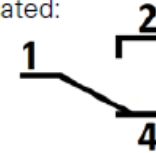
Contact released:

1-2 closed

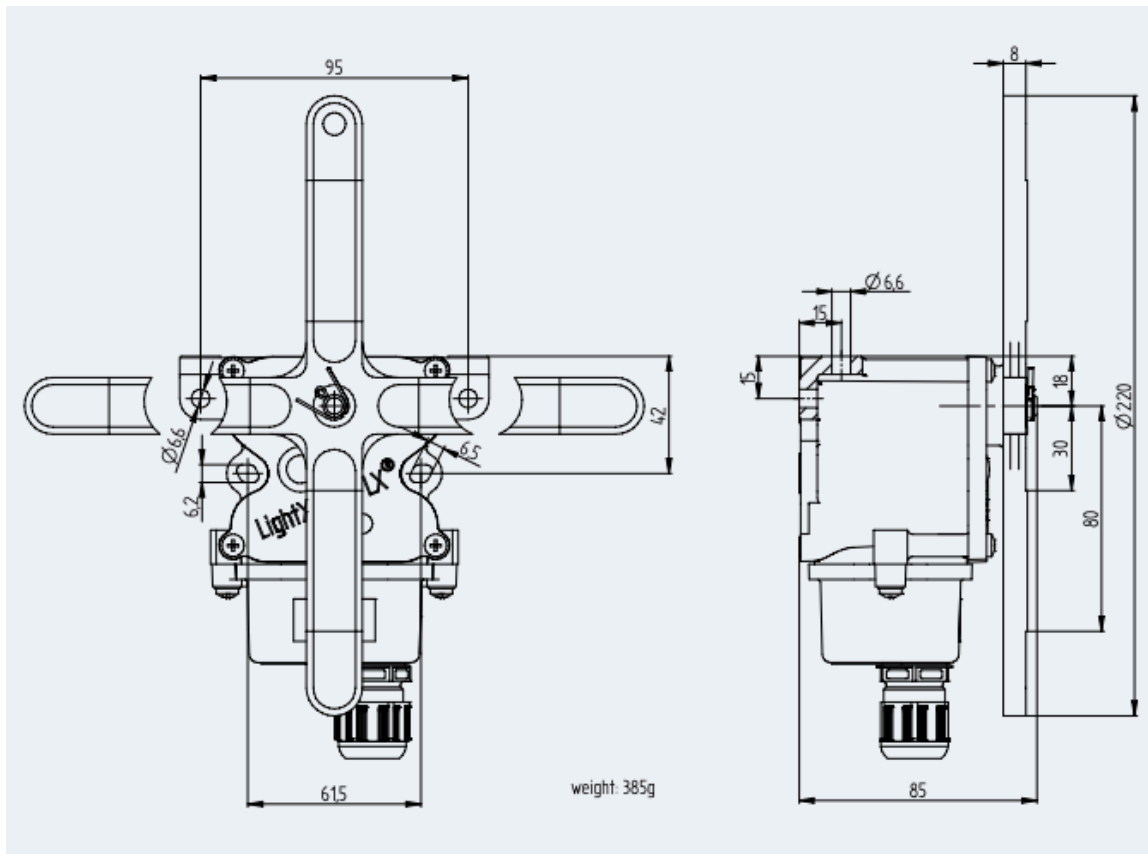


Contact actuated:

1-2 opened



Switch setting / position (rotation direction)					
Contact	1. / +180° (ccw)	2. / +90° (ccw)	3. / 0° (Neutral)	4. / -90° (cw)	5. / -180° (cw)
S1	1-2 opened	1-2 closed			
S2	1-2 opened		1-2 closed		
S3	1-2 closed			1-2 opened	
S4	1-2 closed				1-2 opened



ENGINEERED
COMPONENTS
GROUP

WWW.ENGINEERED-COMPONENTS.COM | 828-683-0176 |
SALES@ENGINEERED-COMPONENTS.COM