

# SPS BASIC

## SIDE PULL DETECTION AND PREVENTION FOR WIRE ROPE HOISTS



### THE PROBLEM

Hoist side pulling and off center picks are not only damaging to the hoist but are also extremely dangerous to personnel. When a hoist is side pulled, damage to the hoist can occur which can cause downtime and costly repairs. When the trolley is not centered over the load and a lift is initiated, the load can swing once off the ground and result in serious injuries.

### THE SOLUTION

SPS BASIC is a system that measures the X and Y axis angle of the hoist wire rope and when the programmed maximum allowable angle is exceeded, a side pull or off center pick condition is detected. An onboard relay output is wired to the hoist controls to prevent lifting until the operator corrects the condition.

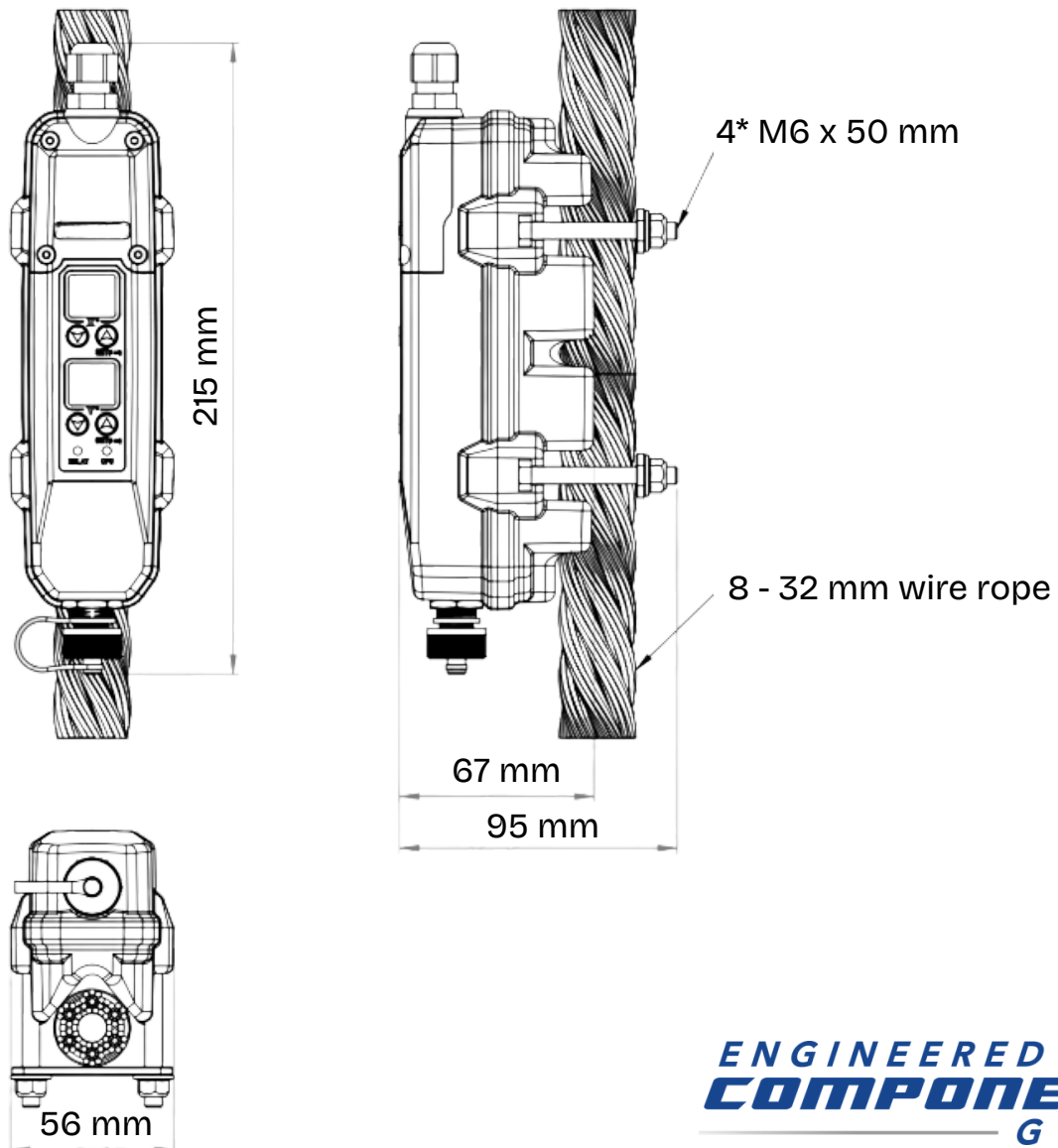
### FEATURES

- Wire rope mounted (hardware included), will accommodate 8-32mm wire ropes
- Easily programmable with onboard push buttons
- Offset button for flexible starting angles
- Robust polymer housing
- X and Y axis angle measurement and angle indicator
- Relay output
- Device status LED
- Included prewired 10 foot pigtail with cable gland



## Ordering Code: SPS-BASIC-10PT

Supply Voltage	48 - 265VAC (24 - 36VDC optional)
Maximum Power	2W at 120VAC
Operating Temperature	-40°C to +85°C
Protection Rating	IP65
Communication	Relay output (CANBUS optional)
Warranty	2 years



**ENGINEERED**  
**COMPONENTS**  
GROUP