



HEADS UP!
CRANE SAFETY LIGHTS
LED Symbol Projectors
for Crane and Hoist Applications

FLOOR PROJECTED LED WARNING LIGHT SYSTEM THAT ALERTS
PERSONNEL OF OVERHEAD CRANE PROXIMITY

LED SYMBOL PROJECTOR - X, SPOT, STOP SIGN, CAUTION
SIGN, DASHED CIRCLE, CRANE HOOK, ARROWS, CUSTOM
SYMBOLS, ETC.

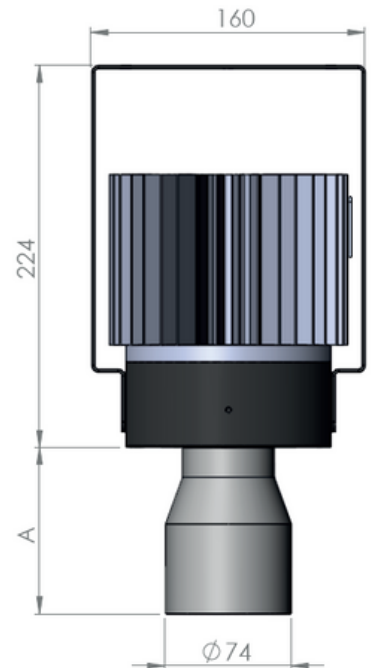
MAX SERIES

POWER SAFE

THIS HEAVY DUTY, 50W PROJECTOR IS IDEAL FOR INSTALLATION HEIGHTS UP TO 13 METERS. INCLUDES INTEGRATED COOLING FAN AND POWER SUPPLY.

SPECIFICATIONS:

- POWER SUPPLY:
 - 90-305VAC - WIRED TO PIGTAIL
 - 460VAC - MOUNTED TO LIGHT WITH INTEGRAL MOUNTING BRACKET
- AMP DRAW:
 - AT 120VAC: .45 AMPS
 - AT 230VAC: .25 AMPS
 - AT 460VAC: .12 AMPS
- PROJECTED SHAPE: SPOT, LINE, OR SYMBOL
- OPERATING TEMPERATURE: -40°C TO 50°C
- MATERIALS: ANODIZED ALUMINUM AND PVC (HOUSING), PAINTED STEEL (BRACKET), STAINLESS STEEL (SCREWS AND CABLE GLANDS), GLASS (LENSES), SILICONE (GASKETS)
- WEIGHT: 5 KG
- DIMENSIONS: 160 MM L X 130 MM W X 400 H (MM)
- PIGTAIL: 3M



A = 80MM-260MM DEPENDING ON REQUIRED OPTIC

Installation Height					
METERS	FEET	MINI STD.	MINI WIDE	MID STD.	MID WIDE
3.05	10	13"	32"	6.5"	18.5"
4.57	15	20"	49"	9.5"	28"
6.05	20	26"	65"	13"	37"
7.62	25	33"	81.5"	16"	47"
9.15	30	NOT RECOMMENDED		19.5"	56.5"
10.67	35			23"	65.5"
12.2	40			26"	75"
13.7	45			29.5	84.5

COMMON SYMBOLS



AVAILABLE COLORS
 RED, BLUE, GREEN,
 WHITE, MULTI

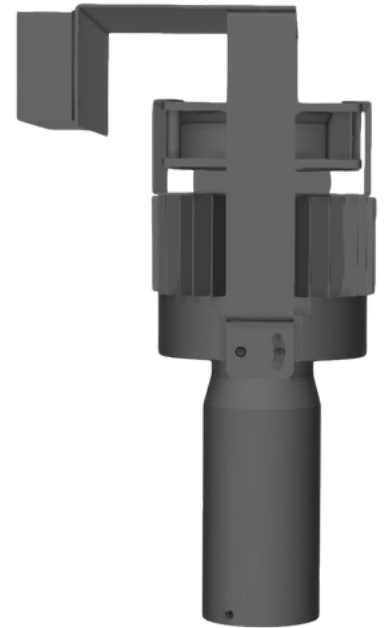
MAX SERIES

SUPER SAFE

THIS HEAVY DUTY, HIGH POWER 100W PROJECTOR IS IDEAL FOR BRIGHT AMBIENT LIGHT CONDITIONS AND HIGH INSTALLATION HEIGHTS. INCLUDES INTEGRATED COOLING FAN AND POWER SUPPLY.

SPECIFICATIONS:

- POWER SUPPLY:
 - 90-305VAC - WIRED TO PIGTAIL
 - 460VAC - MOUNTED TO LIGHT WITH INTEGRAL MOUNTING BRACKET
- AMP DRAW:
 - AT 120VAC: .85 AMPS
 - AT 230VAC: .45 AMPS
 - AT 460VAC: .25 AMPS
- PROJECTED SHAPE: SPOT, LINE, OR SYMBOL
- OPERATING TEMPERATURE: -40°C TO 50°C
- MATERIALS: ANODIZED ALUMINUM AND PVC (HOUSING), PAINTED STEEL (BRACKET), STAINLESS STEEL (SCREWS AND CABLE GLANDS), GLASS (LENSES), SILICONE (GASKETS)
- WEIGHT: 5 KG
- DIMENSIONS: 160 MM L X 130 MM W X 400 H (MM)
- PIGTAIL: 3M



Installation Height		STANDARD OPTIC	WIDE OPTIC	SUPER WIDE OPTIC
METERS	FEET			
3.05	10	NOT RECOMMENDED		
4.57	15			
6.05	20			
7.62	25	22"	45"	91"
9.15	30	27"	54"	108"
10.67	35	31"	63"	126"
12.2	40	36"	72"	144"
13.7	45	40"	81"	161"
15.24	50	30"	60"	120"
18.3	60	36"	72"	144"

COMMON SYMBOLS



AVAILABLE COLORS
 RED, BLUE, GREEN,
 WHITE, MULTI

MAX SERIES

MINI AND MID

THIS LIGHTWEIGHT, COMPACT 25W PROJECTOR IS IDEAL FOR SMALLER HOISTS THAT HAVE A MAXIMUM INSTALLATION HEIGHT OF 12 METERS.

SPECIFICATIONS:

- POWER SUPPLY: 90-305VAC/50-60HZ
- AMP DRAW AT 120V: .21 AMPS
- OPERATING TEMPERATURE: -40°C TO 50°C
- MATERIALS: ANODIZED ALUMINUM (HOUSING), PAINTED STEEL (BRACKET), STAINLESS STEEL (SCREWS AND CABLE GLANDS), GLASS (LENSES), SILICONE (GASKETS)
- WEIGHT
 - MINI SAFE: 2.5 KG
 - MID SAFE: 3 KG
- DIMENSIONS
 - MINI SAFE: 220MM LONG (INCLUDES MOUNTING BRACKET) X 140MM DIAMETER
 - MID SAFE: 300MM LONG (INCLUDES MOUNTING BRACKET) X 140MM DIAMETER
 - PIGTAIL: 1.5 M



*460VAC OPTION NOT AVAILABLE WITHOUT JUNCTION BOX AND TRANSFORMER

Installation Height		Mini Safe		Mid Safe
METERS	FEET	STANDARD OPTIC	WIDE OPTIC	
3.05	10	13"	35"	
4.57	15	20"	49"	
6.05	20	26"	65"	
7.62	25	NOT RECOMMENDED		
9.15	30			
10.67	35			
12.2	40			

COMMON SYMBOLS

